

\*Width and Depth (distance from the foundation) are inside dimensions.

\*\* Will meet code for 94 UBC egress requirements  
For complete code compliance - add ladder

Delivery charge applies on all window well orders

**DIMENSIONS**

(Width x Height x Depth) \*

**WEIGHT**

**Terraced Window Wells**

** 92" x 40" x 54" Top	4135
82" x 40" x 40" Bottom (Large Terrace)	
74" x 40" x 44" Top	2985
64" x 40" x 34" Bottom (Small Terrace)	

**Standard Window Wells**

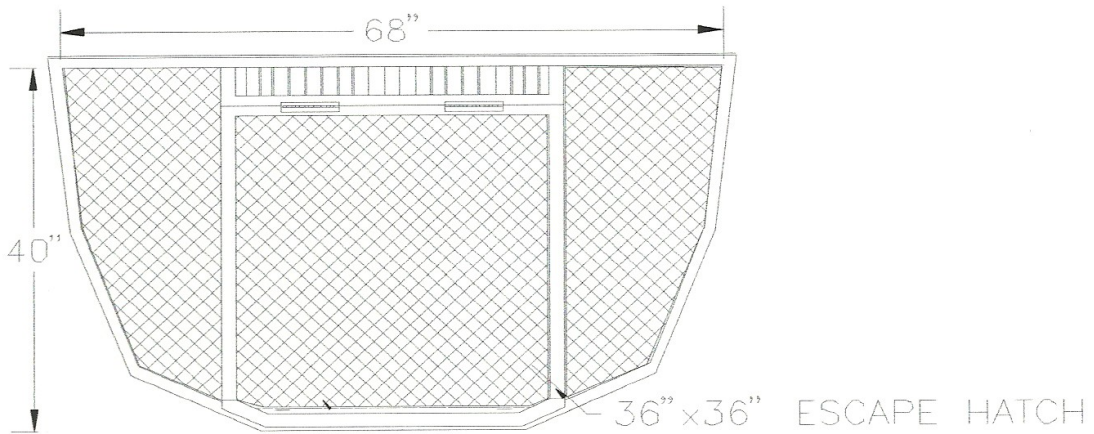
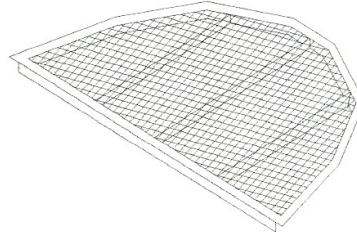
** 68" x 72" x 40"	2520
** 68" x 28" x 40" Extension	950
** 68" x 14" x 40" Extension	480
** 92" x 40" x 54"	2300
** 92" x 20" x 54"	1150
** 82" x 60" x 40"	2750
** 82" x 40" x 40"	1835
** 82" x 20" x 40"	920
** 74" x 40" x 44"	1675
** 74" x 20" x 44"	840
64" x 72" x 34"	1625
64" x 40" x 34"	1310
50" x 48" x 40"	1060
50" x 36" x 40"	795
50" x 12" x 40" Extension	270
54" x 72" x 32"	1590
54" x 64" x 32"	1270
54" x 48" x 32"	1060
54" x 12" x 32" Extension	270
42" x 44" x 18"	800
32" x 24" x 16"	450

WINDOW WELL PRODUCTS

W  
I  
N  
D  
O  
W  
  
W  
E  
L  
L  
  
A  
C  
C  
E  
S  
S  
O  
R  
I  
E  
S

**WINDOW WELL GRATES**

- 92" x 54" with door
- 82" x 40" with door**
- 74" x 44" with door
- 68" x 40" with door (shown)**
- 64" x 34"
- 54" x 32"**
- 42" x 18"



**LADDERS**

