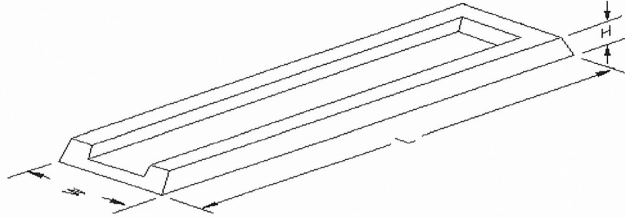


Splash Blocks



Length	Width	Weight	Qty/Pallet
24"	10"	36	20
36"	10"	53	20
48"	12"	85	10
60"	12"	105	10
72"	12"	135	10
60"	24"	200	10

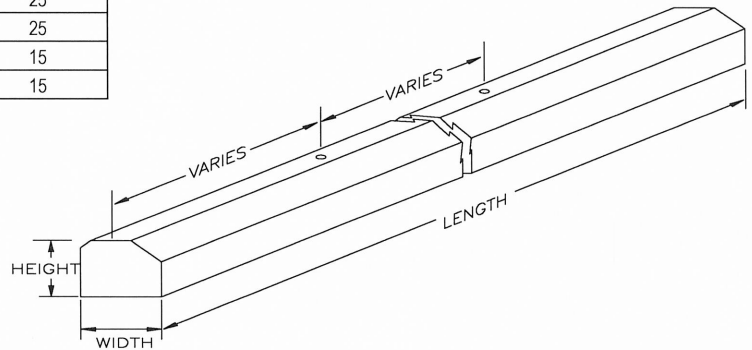
All splash blocks are rebar reinforced and are 3" in height.
Pallet charge may apply

Wheel Stops

	Length	Width	Height	Weight	Qty/Pallet
Standard	6'	6"	6"	175	25
Low Profile	6'	8"	5"	195	25
Single Tire	2'	7"	6"	65	25
Short	4'	7"	6"	130	25
Heavy Duty	8'	7"	6"	290	15
RV/Truck	8'	12"	10"	900	15

6 FT 8 FT

PINS (set)
INSTALLATION
EPOXY
WEATHER SEAL
COLOR/PAIN
PALLET CHARGE



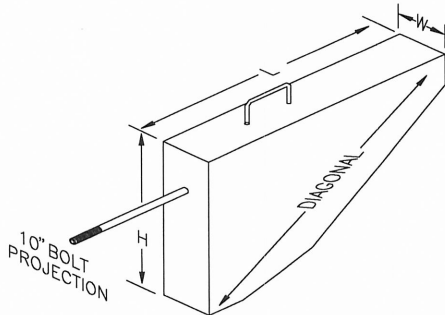
Haunches

Length	Diagonal x Height x Width	Weight
24"	26" x 15" x 4" with 5/8" x 14" bolt**	60
36"	44" x 15" x 4" with 3/4" x 18" bolt	100

* Special pricing may apply on quantities of 20 or more

Concrete Haunches are equipped with one 5/8" or 3/4" diameter bolt with a 10" projection with a 2" thread and includes nut and 3" x 3" back plate. Each unit has a 6" #3 rebar looped handle.

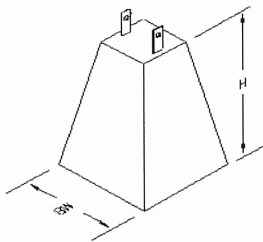
* Haunches with an extended bolt projection to accommodate 10" and 12" foundation walls can be manufactured upon request. (Add \$10.00 each)



Piers

Base (Sq.)	Height	Weight	Qty/Pallet
12"	12"	75	varies
12"	16"	130	varies
16"	16"	185	varies

* Special pricing may apply on orders of 20 or more piers
Top surface of all piers is 6" square.



Pads

Length	Width	Thickness	Weight
24"	24"	2"	95
24"	24"	3"	140
24"	24"	4"	185
26"	22"	3"	125
26"	26"	5"	270
27"	37"	4"	325
29"	42"	2"	190

All pads are reinforced with rebar and have been built to normal specifications to support furnace, air conditioning, and other equipment.

Length	Width	Thickness	Weight
36"	36"	3"	315
36"	36"	4"	420
43"	47"	6"	980
68"	36"	4"	790
70"	72"	6"	2450
72"	78"	6"	2730
89"	45"	4"	1295

HOME BUILDER PRODUCTS