

ELECTRICAL PRODUCTS

## Light Pole Base Foundations

Model (Diameter x Height)	Weight
8" x 30"	125
10" x 30"	195
12" x 36"	340
16" x 36"	590
16" x 42"	685
18" x 36"	745
18" x 48"	990
18" x 60"	1240
18" x 72"	1490
18" x 84"	1740
18" x 96"	1990
20" x 48"	1220
24" x 48"	1760
24" x 60"	2200
24" x 72"	2640
24" x 84"	3080
24" x 96"	3520
27" x 90" - SQUARE	5320
30" x 36"	2060
30" x 48"	2750
30" x 60"	3440
30" x 72"	4125
30" x 84"	4810
36" x 36"	3000

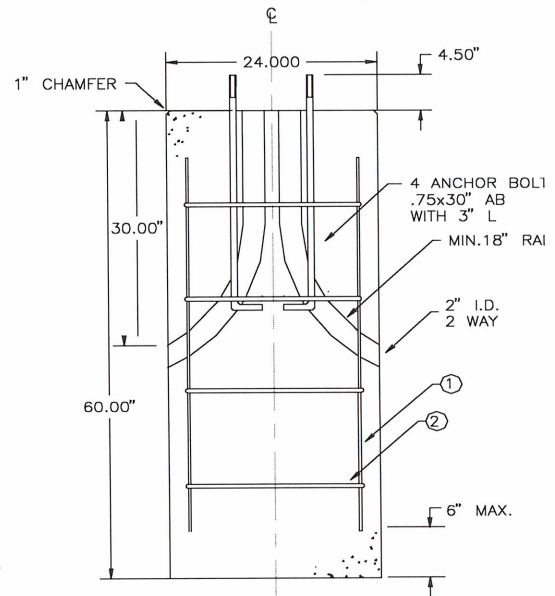
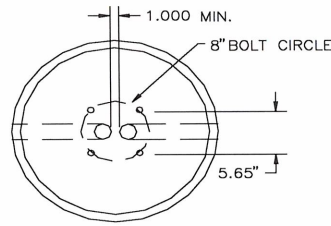
Bases manufactured with a 2 1/2" raceway.  
 If PVC conduit is required - add 15%.  
 If GRC conduit is required - add 15%.  
 If CDOT M-613-1 (or similar) cage is required add 25%, S-614-44 add 100%  
 Quantity discounts may apply - please call for pricing on large orders.  
 Standard delivery charges apply on all light pole base orders.  
 Weight limit for our truck is 20,000 pounds.

### Anchor Bolt Pricing

Anchor bolts are partially galvanized and include one nut

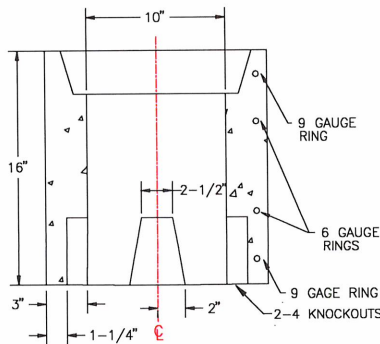
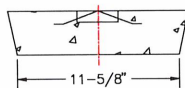
#### Bolt Size

- 5/8" x 24"
- 1/2" x 30"
- 3/4" x 30"
- 1" x 36"
- 1" x 48"
- 1-1/4" x 48"

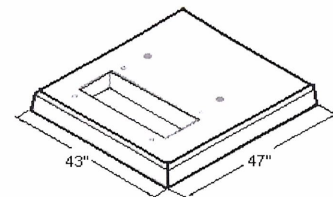
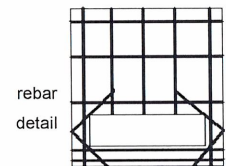
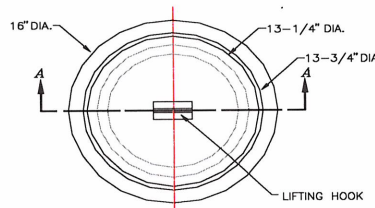


### PULL BOXES

Model	Width	Height	Weight
Small Pullbox with lid	10" ID	16"	150
Large Pullbox with lid	18" ID	24"	
10" Lid	10" ID		
18" Lid	18" ID		



Built to Colorado Highway Specifications



### Single Phase

Transformer Pad	Length	Width	Thickness	Weight
47 x 43 Pad	47"	43"	6"	980

Delivery is available, standard charges apply.